



## 30W X-SERIES LASER POWER INCLUDED

## 30W, 50W LASER POWER

OPTIONS AVAILABLE FOR UPGRADE

## LENS OPTIONS

160mm | 290mm | 420mm

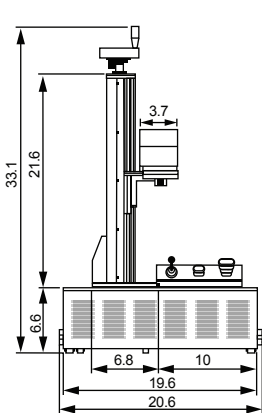
INDUSTRY LEADING

## 2 YEAR WARRANTY

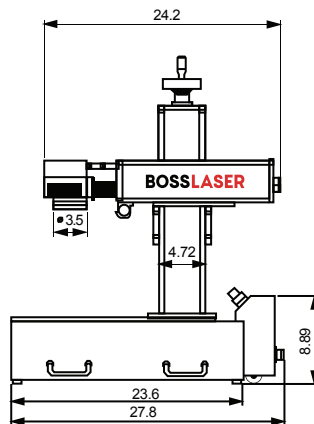
### FM-D INCLUDES:

- 30w & 50w Fiber Power Options
- 4.33" X 4.33" FM-D - Standard Marking Area
- Designed & Engineered In USA By Boss Laser
- FM Rotary Chuck Options
- Mobile Desktop With Open Marking Platform
- Quality Management System (QMS) - ISO-9001 CERTIFIED
- Reliable Speed & Precision - 100,000+ Hours

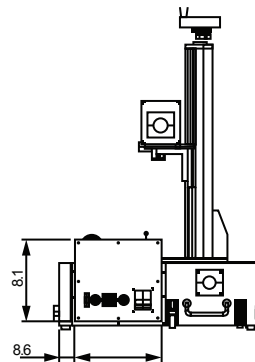
- EZCad Software included. (Upgrade to LightburnPro (\$199)
- Tech Support For Life Via. BOSS' In-House Laser Tech's And Engineers
- Warehoused Replacement Parts & Accessories For Quick Replacement
- Warranty - 2 Year Parts Includes Fiber Laser
- We 100% Guarantee With Our 30-Day Guarantee Return Policy



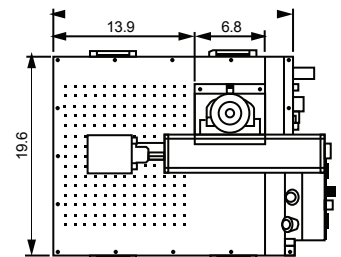
FRONT VIEW



SIDE VIEW



BACK VIEW



TOP VIEW



**SPECIFICATIONS**

Repeated Accuracy	0.002"	Crate Dimensions	33.5"L X 24.5"W X 39.5H / 220#
Power Requirement	110V / 50HZ to 60HZ	Laser Wavelength	1064NM
Machine Dimensions	0.002"	Beam Quality	20 - 30W = < 1.5M2; 50W = < 1.8M2
Speed	5,000MM / sec	Net Weight	120 lbs.
Cooling Method	Forced air	Image Formats	Supports PLT, BMP, DXF, JPG, TIF, AI, PNG, etc.
Class	Class 4 Laser	Software	EasyCad or Lightburn Pro Upgrade (\$199)
Power Options	30w & 50w	Lens Options	16mm & 290mm