



20W X-SERIES

LASER POWER INCLUDED
30W, 50W & 100W ALSO AVAILABLE

LASERCAD SOFTWARE INCLUDED
Upgrade to Lightburn Pro™ (\$199)

LENS OPTIONS

160mm | 290mm | 420mm

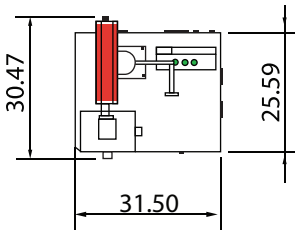
INDUSTRY LEADING

2 YEAR WARRANTY

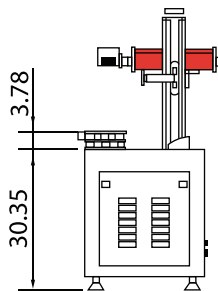
FM-S INCLUDES:

- 20W Fiber Marking Power
- 4.33" X 4.33" Marking Area - Expanded Marking Area Optional
- Designed & Engineered In USA By Boss Laser
- EZ Guide™ Micro-Adjust Platform
- FM Rotary Chuck Options
- Flexible Open Marking Platform
- Reliable Speed & Precision - 100,000+ Hours

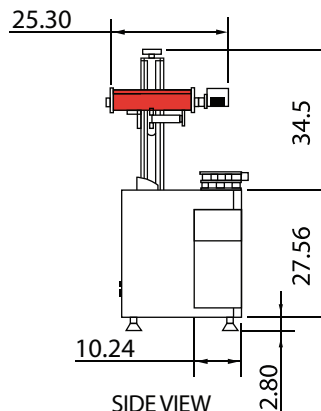
- EasyCad Software included. (Upgrade to Lightburn Pro (\$199)
- Tech Support For Life Via. BOSS' In-House Laser Tech's And Engineers
- Warehoused Replacement Parts & Accessories For Quick Replacement
- Warranty - 2 Year Parts Includes Fiber Laser
- We 100% Guarantee With Our 30-Day Guarantee Return Policy



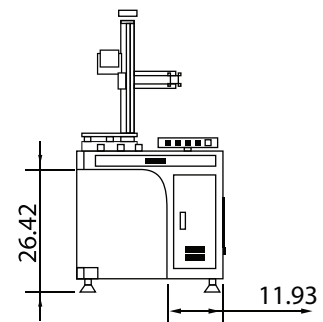
TOP VIEW



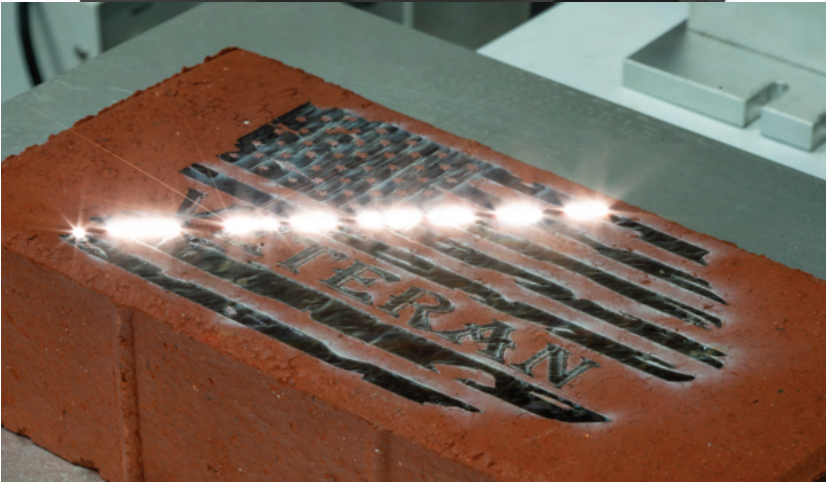
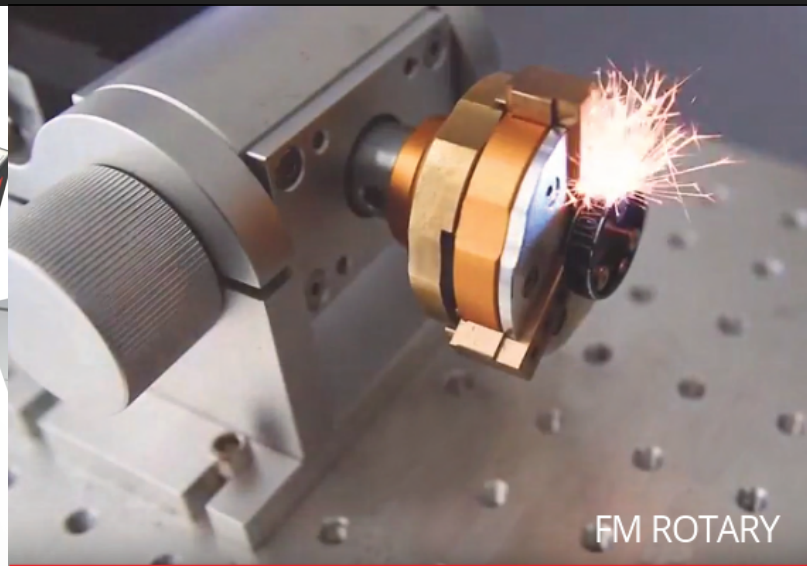
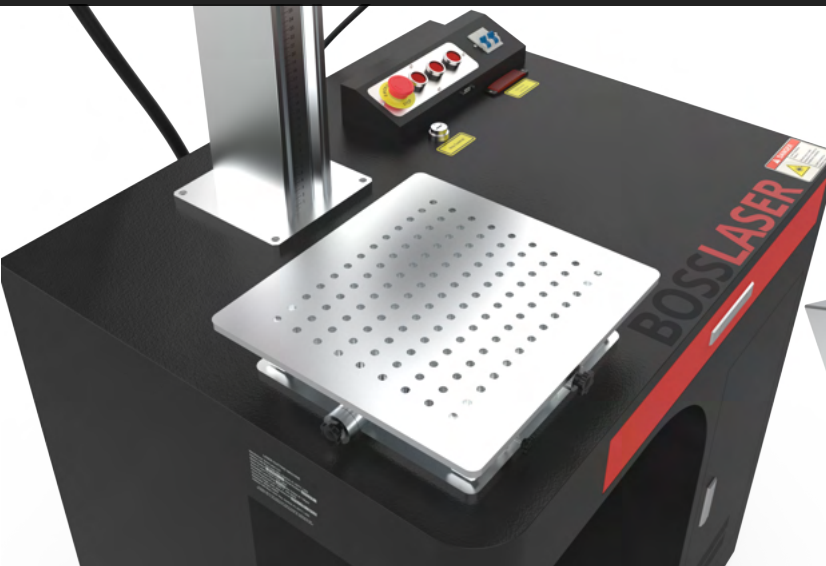
SIDE VIEW



SIDE VIEW



FRONT VIEW



SPECIFICATIONS

Series	FM Series	Pump Design	Multi-channel diode
Speed	5,000MM / sec	Image Formats	Supports PLT, BMP, DXF, JPG,TIF, AI, PNG, etc.
Repeated Accuracy	0.002"	Machine Dimensions	30" deep X 30"L X 65"H
Beam Quality	Diffraction of M2 < 1.5 to 2.0	Laser Wavelength	1064NM
Power Supply	110V / 50HZ / 2KVA	Fiber Power Options	20W, 30W, 50W, or 100W
Net Weight	220 lbs.	Cooling Method	Forced air
Class	Class 4 Laser	Software	EasyCad or Lightburn Pro Upgrade (\$199)